



## Installation instructions FixTherm Inline Thermostat (IL)

Temperature settings are indicated in the Model-number: e.g. IL-25/20

Figures left of the slash-mark is the switch-off temperature in degrees °C.

Figures right of the slash-mark is the switch-on temperature in degrees °C.

The Inline Thermostat is available until a maximum 60°C.

The Inline Thermostat can be horizontally and vertically installed and the manufacturer has pre-attached the Inline Thermostat to the chosen heater in the factory.

### Max. current/Voltage: 6A/240 VAC

#### English

#### **Installation- and maintenance instructions for explosion proof Inline thermostats (IL).**

1. **These Inline thermostats are for fixed installations.** Due consideration should be given to the data on the nameplates and the "special requirements" mentioned in the certificate.
2. The apparatus may only be used on the basis of the way it is protected against ignition. The gas-group and temperature class (please see below) for which it is certified.
3. The Heater must be installed in the proper fashion.
4. The Inline-Thermostat must be placed at a minimum distance of 55 mm from the heater.
5. For good control it is better to place the Inline Thermostat further away than 15 mm from the cabinet wall.
6. The cable needs to be protected against mechanical damage.
7. The external connections have to be connected to an ATEX certified junction box.
8. **Please note:** the Inline Thermostat needs to be repaired by our factory only.

Product is in accordance with the following standards:

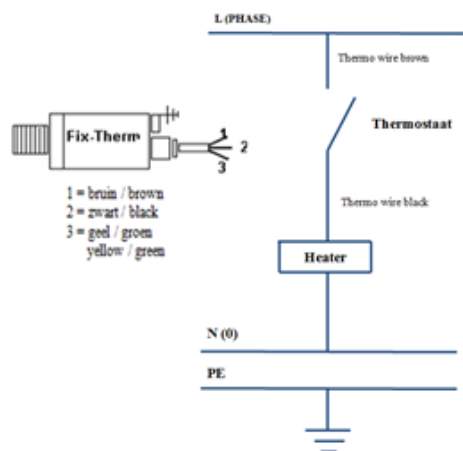
EN 60079-0: 2012

IEC 60079-0 : 2011 Edition 6.0

EN 60079-18: 2009

IEC 60079-18: 2009 Edition 3

# Condor Technology Ltd.



Certified ambient temperature range: -55°C... + 65 °C

Max. Measuring temperature for T6/T 85 °C is 80° C  
Prospective short circuit current = 10A

Datum: 28-02-2017

IL-\*/\*\*, rev.5 ENG.

